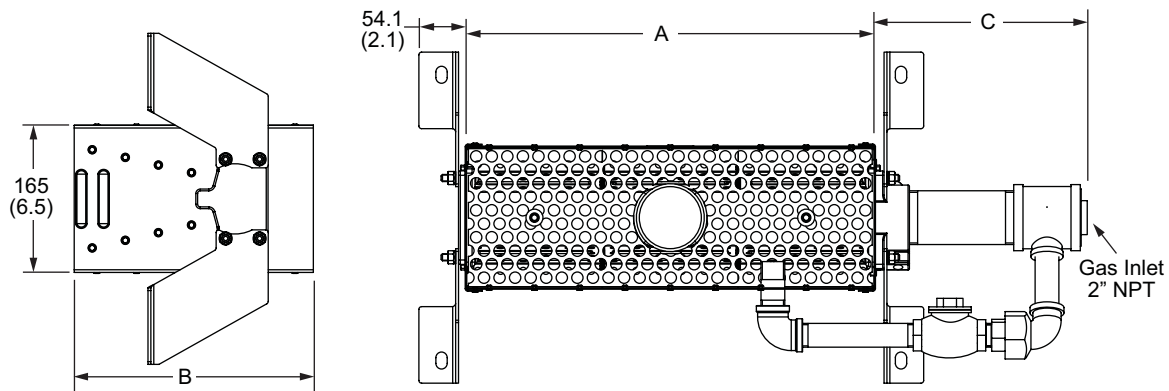


# Eclipse Air Heat Burners

Series AH-O



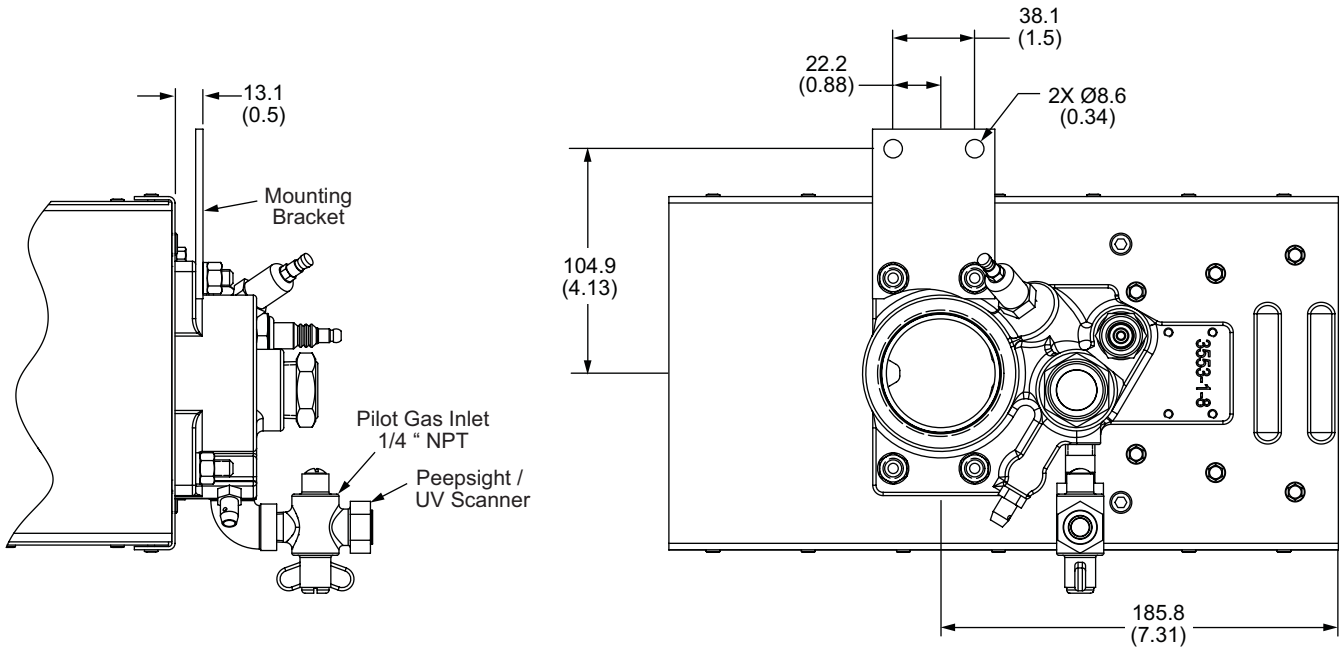
## English Units

Burner Cat. No.	Assy. No.	Total Input (MM BTU/hr)		Dimensions in Inches			Cross. Sect. Area Sq. In.	Approx. Ship Wt. Lbs.
		0.8 MM BTU/ft	1.0 MM BTU/ft	A	B	C		
40 AH-O	109560	0.4	0.5	6.1	10.6	10.1	39	29
80 AH-O	109561	0.8	1.0	12.1	10.6	10.1	77	37
120 AH-O	109562	1.2	1.5	18.1	10.6	10.1	116	49
160 AH-O	109563	1.6	2.0	24.1	12.3	10.1	154	57
200 AH-O	109564	2.0	2.5	30.1	12.3	10.1	192	73
240 AH-O	109565	2.4	3.0	36.1	12.3	10.1	230	68
280 AH-O	109566	2.8	3.5	42.1	12.3	10.1	269	99
320 AH-O	109567	3.2	4.0	48.1	12.3	10.1	307	110

## Metric Units

Burner Cat. No.	Assy. No.	Total Input kW		Dimensions in Millimeters			Cross. Sect. Area Sq. Cm.	Approx. Ship Wt. Kgs.
		769 kW/M	962 kW/M	A	B	C		
40 AH-O	109560	117	147	155.4	268.2	253.1	252	13
80 AH-O	109561	234	293	307.8	268.2	253.1	497	17
120 AH-O	109562	352	440	460.2	268.2	253.1	748	22
160 AH-O	109563	469	586	612.6	312.7	253.1	994	26
200 AH-O	109564	586	733	765.0	312.7	253.1	1239	33
240 AH-O	109565	703	879	917.4	312.7	253.1	1484	37
280 AH-O	109566	821	1026	1069.8	312.7	253.1	1736	45
320 AH-O	109567	938	1172	1222.2	312.7	253.1	1981	50

## Pilot Components and Dimensions



### Check Valve Assembly Numbers

Burner	Assembly	NPT
40 & 80 AH-O	550088	1/2"
120 & 160 AH-O	550092	3/4"
200 & 240 AH-O	550096	1"
280 & 320 AH-O	550100	1-1/4"



**Offered By:**

Power Equipment Company  
2011 Williamsburg Road  
Richmond, Virginia 23231  
Phone (804) 236-3800  
Fax (804) 236-3882

---

[www.peconet.com](http://www.peconet.com)